

SUPER MOBILE Series Projection Screen

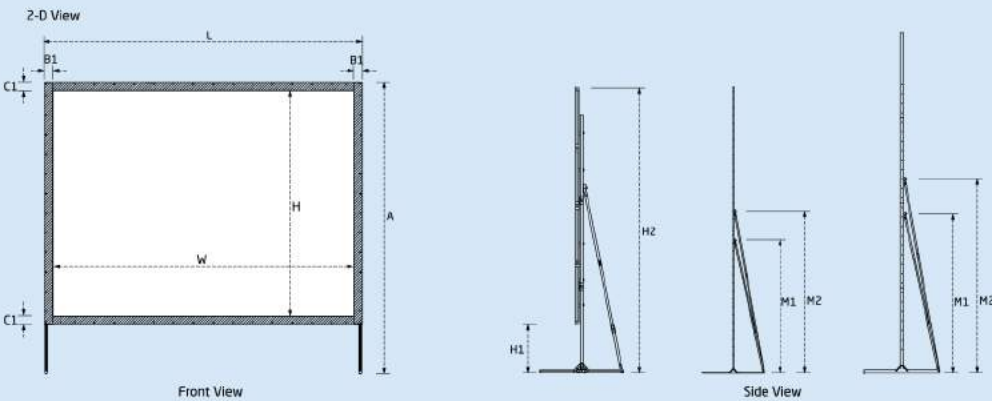
China Well-known Trademark

GRANDVIEW
GRANDVIEW REPRODUCING GENUINE COLORS

Specification

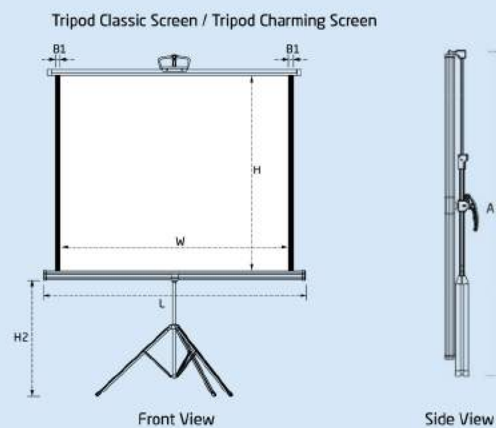
Super Mobile Series (LS-Zxxx)

Format	Specification (inch)	Viewing Area (WxH)	L	A	B1	C1	H1 (Max/Min)	H2 (Max/Min)	M (Max/Min)	Package (LxHxW)	Net Weight (Kg)
4:3	100	2032x1524	2202	2886	85	85	705 / 250	2400 / 2280	1350 / 690	1008X331X336	25
	120	2348x1828	2528	3416	90	90	950 / 203	2700 / 2960	2000 / 1187	1158X331X336	27
	150	3048x2286	3258	4207	104	104	1095 / 183	3590 / 3188	2260 / 1600	1393X331X336	30
	180	3658x2743	3858	4153	100	100	1280 / 221	4153 / 3024	1680 / 2296	1390X510X410	33
	200	4046x3048	4226	4313	91	104	1056 / 221	4313 / 3204	1680 / 2296	1390X510X410	34
	250	5080x3180	5300	5569	110	110	1505 / 515	5511 / 5286	2153 / 2813	1685X535X500	52
300	6095x4574	6325	6730	114	114	1717 / 527	6495 / 6126	2558 / 3408	1670X470X650	67	

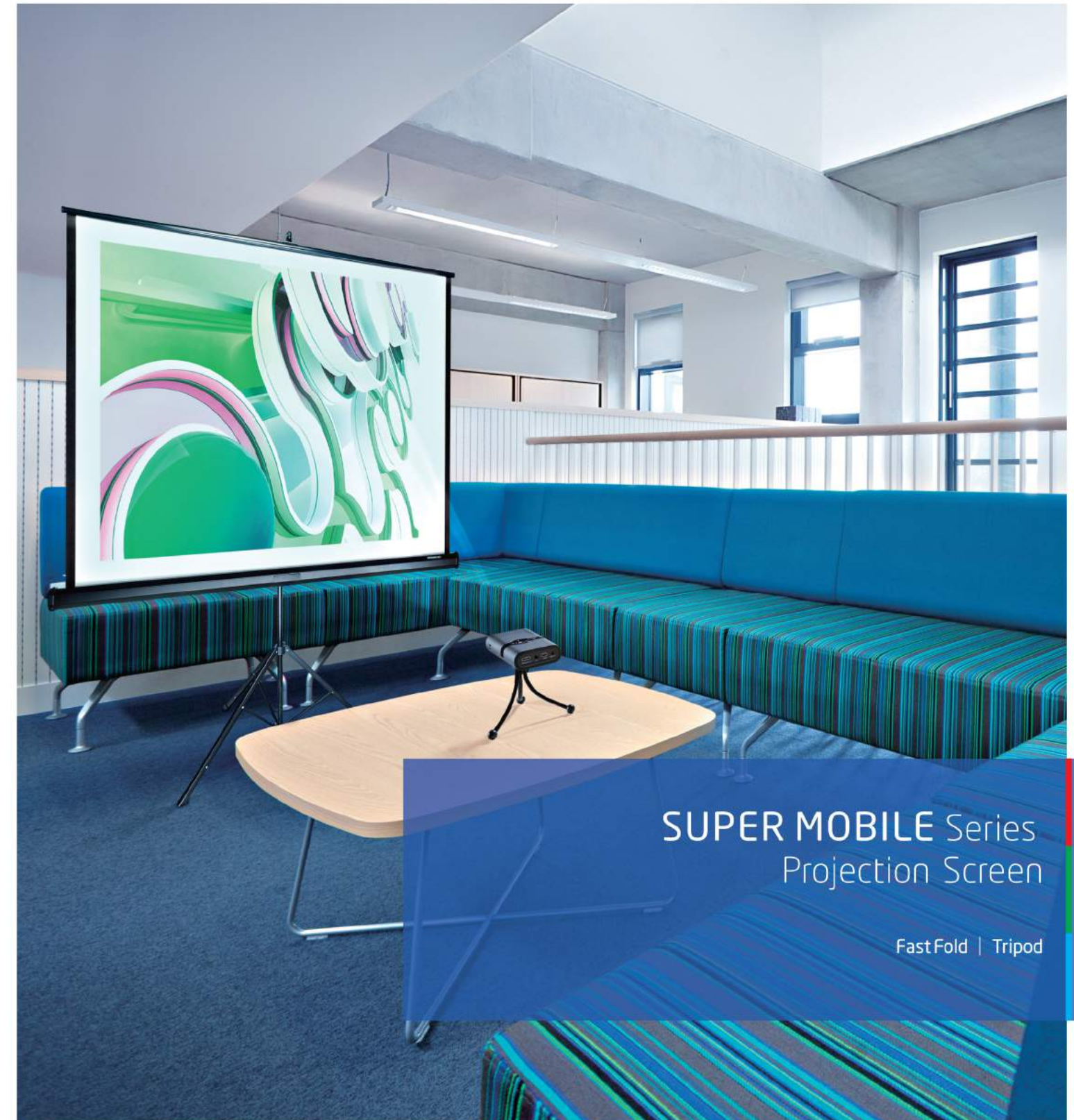


Tripod Series

Format	Specification (inch)	Viewing Area (WxH)	A	B1	H2	Package (LxHxW)	Net Weight (Kg)
Tripod Classic Screen (PT-LAxxx)							
4:3	100	2030 x 1524	2900	40	≥ 800	2400x210x130	15.3
	120	2334 x 1765	3200	50	≥ 800	2704x210x130	17.2
1:1	84x84	2030 x 2030	2900	40	≥ 800	2400x210x130	15.7
	96x96	2334 x 2334	3200	50	≥ 800	2704x210x130	17.5
Tripod Charming Screen (PT-Hxxx)							
4:3	100	2030 x 1520	2550	40	≥ 800	2400x210x120	9.8
	60x60	1520 x 1520	2550	30	≥ 800	1910x210x120	8.1
1:1	70x70	1720 x 1720	2750	30	≥ 800	2110x210x120	9.1
	84x84	2030 x 2030	3000	40	≥ 800	2440x210x120	10.3



Note:
1. Unremarked measurements are default to be MM.
2. Above parameters could be changed due to product improvement.



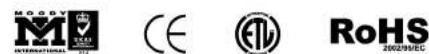
SUPER MOBILE Series
Projection Screen

FastFold | Tripod

GRANDVIEW

GRANDVIEW SCREEN (CANADA) CO., LTD.
ADD: #11-3751 North Fraser Way, Marine Way Business Centre,
Burnaby, BC, Canada V5J5G4
TEL: 1-604.412.9777 FAX: 1-604.412.9796
<http://www.grandviewscreen.ca>

GRANDVIEW CRYSTAL SCREEN CO., LTD.
Add: Federal Industry Zone, NO.363, Yushan Road W.
Shatou,Panyu, Guangzhou, Guangdong Prov., China
Tel: 020-84899499 Fax: 020-84805299
<http://www.grandviewscreen.com>





Fast Fold Series

Ideal for Moveable Presentation

- The screen is convenient to sturdy and easy to carry, benefited from its professionally designed aluminum alloy frame and the solid corner design by helping increase the rigidity of the overall structure.
- Only 10 minutes is needed to extend or fold a screen even is 200" size.
- Fixing by multiple points on each frame bar, it ensures the screen to be installed flat and wrinkle-free.
- With standard flight case option, the screen is easy to fit and carry.



Innovative Design

The innovative fold-and-lock mechanism helps making setup and takedown easy. It also ensures the frame is firm and secure during use. The solid corner design adds safety by helping increase the rigidity of the overall structure.

Practical, Durable and Portable

The professionally designed frame is sturdy yet light and easy to transport. All pieces including the frame, support and screen fabric are designed to fit into one case which greatly saves space for transportation.



Professional Viewing Quality

The screen is fixed by multiple points on each frame bar. This ensures the screen will be installed flat and wrinkle-free.

Optional Fabric



PS Soft White Matte Fabric	Rear Projection PS Series Flexible Fabric
160° Viewing Angle	1.0 Gain
160° Viewing Angle	1.8 Gain



Tripod Series

Tripod Classic Screen

Pressured Safety Suspension

The stand features a pneumatic pressured suspension which allows the user to smoothly lift the screen with minimal efforts. When in use, the pneumatic pressured suspension will ensure the screen remains suspended even in cases where the close button is accidentally engaged. This feature prevents any accidental retractions and puts the user in full control.

- Double-Locking Safety Mechanism
- Keystone Adjustment
- Soft Rubber Handle



Tripod Charming Screen

- Advanced Self-Lock
- Keystone Adjustment & Casing Level Adjustment
- Base Support Lock
- Soft Rubber Handle

